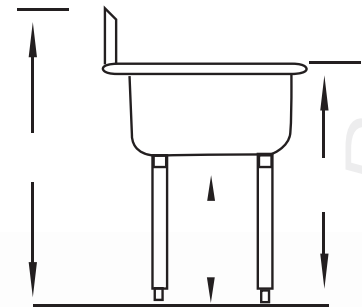
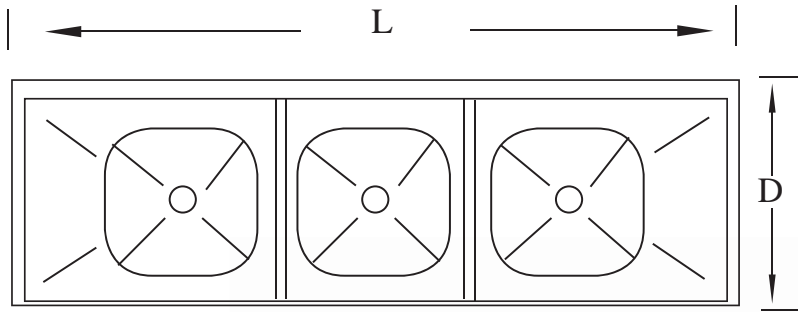


Item# _____
 Project: _____
 Qty: _____

October 2009

Economy Sinks Stainless Steel 18 Gauge



Model	Bowl Size	Drain Boards	Size (L x D)	Weight/lbs. (shipping)
E1CWP1818	1)18" x 18"	no drain boards	23" x 24"	57
E1CWP1818L-18	1)18" x 18"	18" left side drain board	38" x 24"	65
E1CWP1818R-18	1)18" x 18"	18" right side drain board	38" x 24"	65
E1CWP18182-18	1)18" x 18"	w/two 18" drain boards	54" x 24"	106
E1CWP1818L-24	1)18" x 18"	w/24" left side drain board	44" x 24"	69
E1CWP1818R-24	1)18" x 18"	w/24" right side drain board	44" x 24"	69
E1CWP18182-24	1)18" x 18"	w/two 24" drain boards	66" x 24"	110
E1CWP2424	1)24" x 24"	no drain boards	29" x 30"	65
E2CWP1818	2)18" x 18"	no drain boards	40" x 24"	75
E2CWP1818L-18	2)18" x 18"	18" left side drain board	58" x 24"	101
E2CWP1818R-18	2)18" x 18"	18" right side drain board	58" x 24"	101
E2CWP18182-18	2)18" x 18"	w/two 18" drain boards	72" x 24"	125
E2CWP24242-24	2)24" X 24"	w/two 24" drainboards	96" x 30"	136
E3CWP1818	3)18" x 18"	no drain boards	58" x 24"	105
E3CWP1818L-18	3)18" x 18"	18" left side drain board	76" x 24"	110
E3CWP1818R-18	3)18" x 18"	18" right side drain board	76" x 24"	110
E3CWP18182-18	3)18" x 18"	w/two 18" drain boards	90" x 24"	126
E3CWP18242-18	3)18" x 24"	w/two 18" drain boards	90" x 30"	167
E3CWP18182-24	3)18" x 18"	w/two 24" drain boards	102" x 24"	167
E3CWP18242-24	3)18" x 24"	w/two 24" drain boards	102" x 30"	195
E3CWP24242-24	3)24" x 24"	w/two 24" drain boards	120" x 30"	215



Cannonware Products
www.cannonware.com

Phone:(800).768.5953

Fax:(800).976.1299



Cannonware Products