

Item# \_\_\_\_\_  
Project: \_\_\_\_\_  
Qty: \_\_\_\_\_

# *Aluminum Transport Cabinet*



## **Features**

- 14 Gauge, Natural Finish Aluminum
- Heavy Duty Riveted Construction
- 270° Door Swing with Side Wall Door Stay
- 40 Pan Capacity
- Fits 26" x 18" Pans
- Ideal For Healthcare, Food Service, or Restaurant Applications
- Complete With 4" NSF Casters, Two With Locking Brake

**Cannonware Products**  
[www.cannonware.com](http://www.cannonware.com)

Phone:(800).768.5953

Fax:(800).976.1299

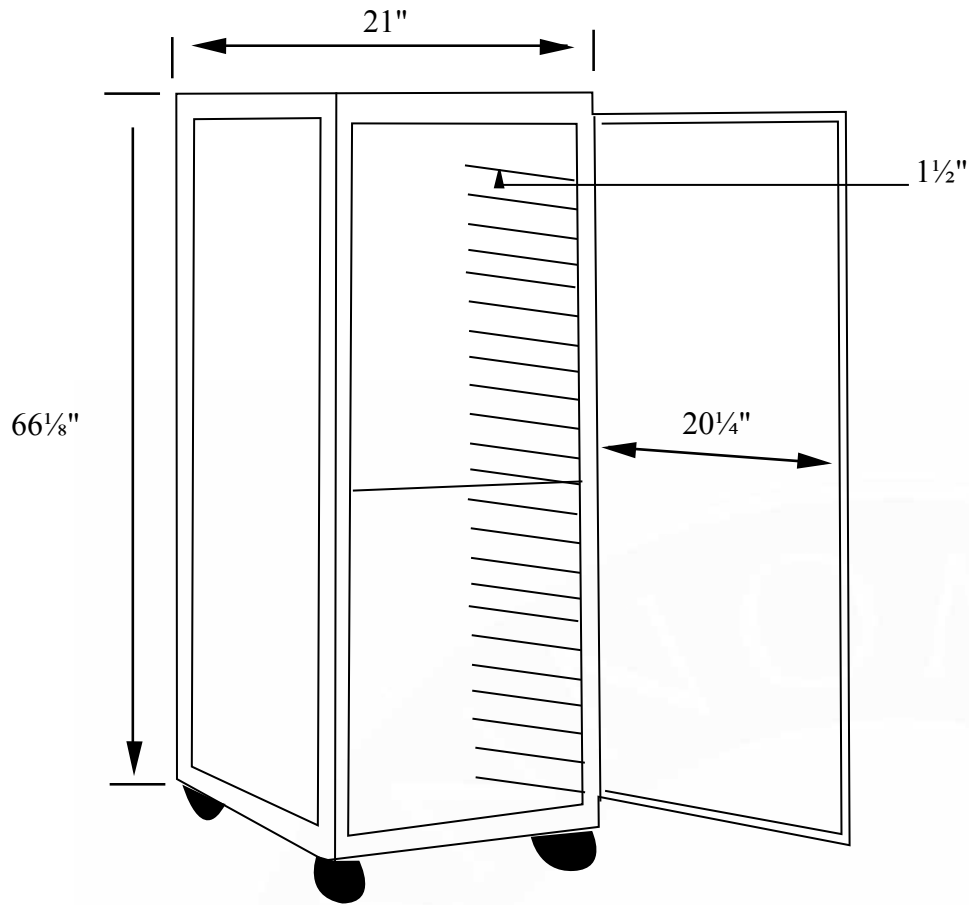


Cannonware Products

Item# \_\_\_\_\_  
Project: \_\_\_\_\_  
Qty: \_\_\_\_\_

February 2009

# Aluminum Cabinet



Fits 26" x 18" Pans

Cannonware Products

**Model**

CWP-EC-40EL

**Description**

40 Pan Aluminum  
(non-heated/non-insulated)

**Weight/lbs**

(Shipping)  
82



Cannonware Products  
[www.cannonware.com](http://www.cannonware.com)

Phone:(800).768.5953

Fax:(800).976.1299

