

Item# _____
Project: _____
Qty: _____

October 2009

Deck Mount Pre-Rinse



Features

- Single Hole Faucet Body
- ¼ Turn, Full on Valves
- Heavy Duty Spring and Hose
- Includes 6¾" Wall Bracket
- EPAct 2005 Compliant
- Add-on Faucets Available



Cannonware Products
www.cannonware.com

Phone:(800).768.5953

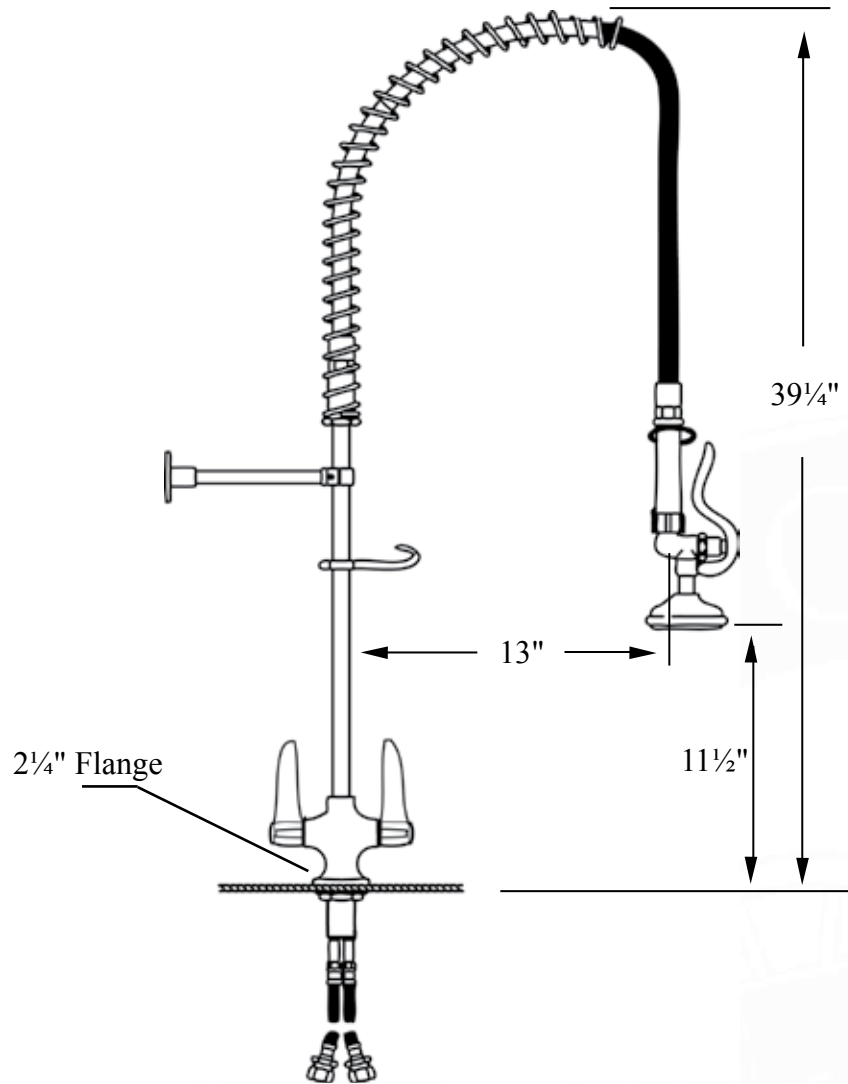
Fax:(800).976.1299

Cannonware Products

Item# _____
 Project: _____
 Qty: _____

October 2009

Deck Mount Pre-Rinse



Cannonware Products

Model	Description	Weight/lbs (Shipping)
PRS4-CWP	Single hole faucet body	13



Cannonware Products
www.cannonware.com

Phone: (800).768.5953

Fax: (800).976.1299