

Item# \_\_\_\_\_  
Project: \_\_\_\_\_  
Qty: \_\_\_\_\_

# *Mobile Dunnage Rack*



## **Features**

- Heavy Duty Construction
- Fully Welded Base
- 1 3/4" x 1 3/4" Aluminum
- Heavy Duty 6" Casters with Grease Ports
- Ships Knocked Down

**Cannonware Products**  
[www.cannonware.com](http://www.cannonware.com)

Phone:(800).768.5953

Fax:(800).976.1299

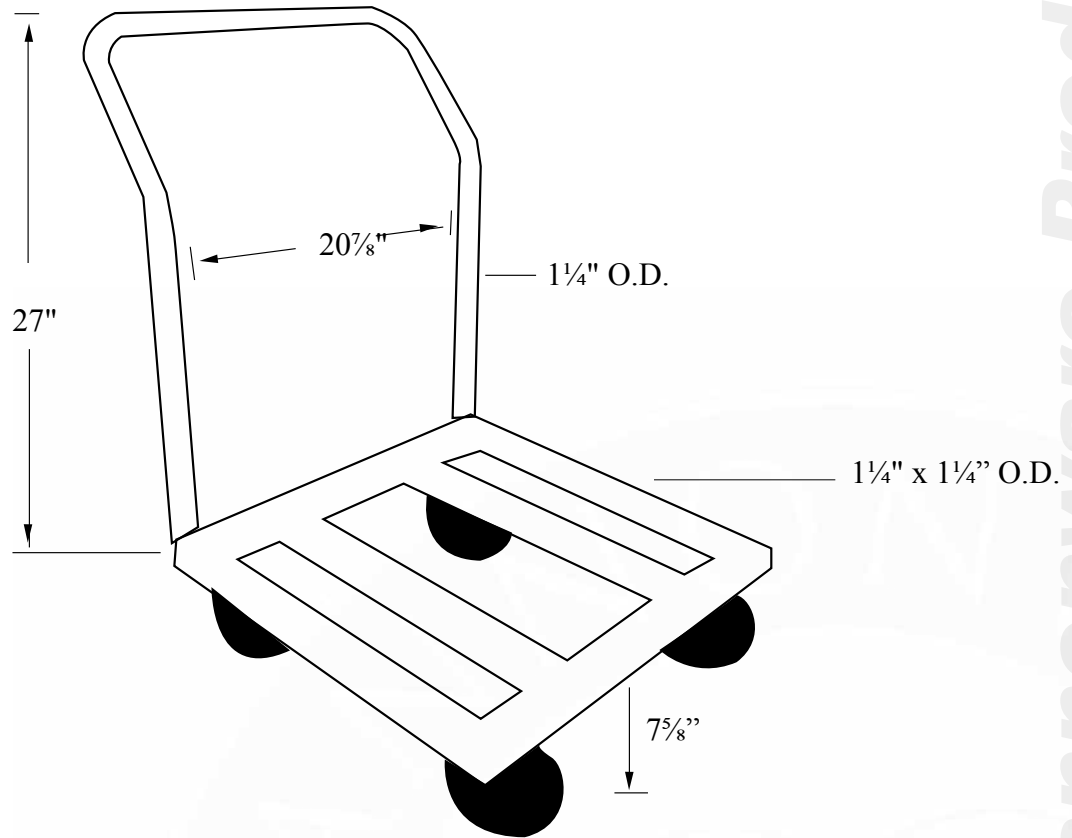


Cannonware Products

Item# \_\_\_\_\_  
Project: \_\_\_\_\_  
Qty: \_\_\_\_\_

February 2009

# Mobile Dunnage Rack



---

<b>Model</b>	<b>Size</b>	<b>Weight/lbs</b> (Shipping)
CWP-MDR-24241H	24" x 24"	32

---



**Cannonware Products**  
[www.cannonware.com](http://www.cannonware.com)

Phone: (800).768.5953

Fax: (800).976.1299

